



PARTNERSHIP



RELIABILITY



EFFICIENCY



THEYSOHN PHILOSOPHY



Profile Cut-off Saw

Application

The SP 400-E Profile Saw by Theysohn Extrusionstechnik has been specially developed to cut PVC-profiles and is ideally suited for high output PVC-window lines. The SP 500/900 Wide Profile Saw has been specially designed to cut wide profiles like window sills or smaller sheets.

Standard

- welded open tubular steel base frame construction
- height adjustable levelling pads
- carriage speed pneumatically (SP 500/900: electrically) synchronized with extrusion speed
- adjustable cutting height
- constant cut pressure
- low maintenance design
- noise reduced execution
- integrated sawdust suction
- precision cut

Options

- guides for double extrusion
- protecting cover acc. CE
- digital length cut-off control ELP (no switch required) incl. counter
- carriage speed electrically synchronized to extrusion speed

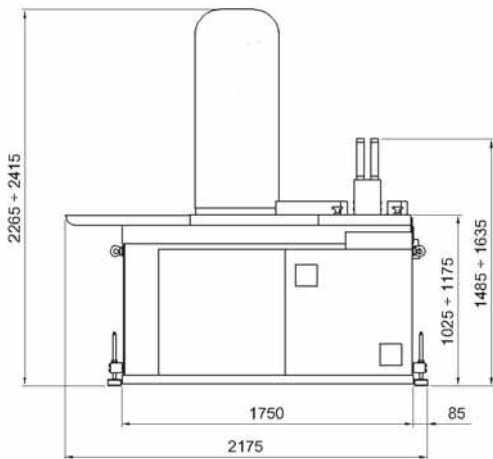
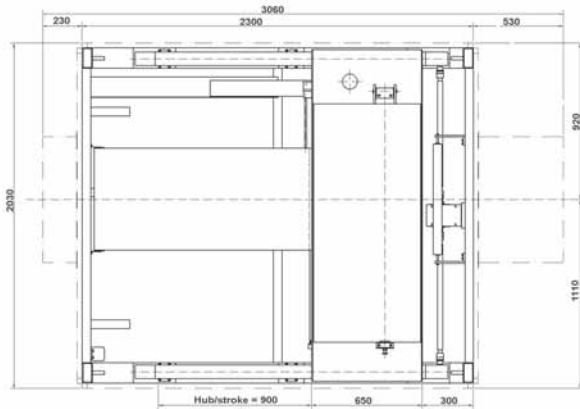
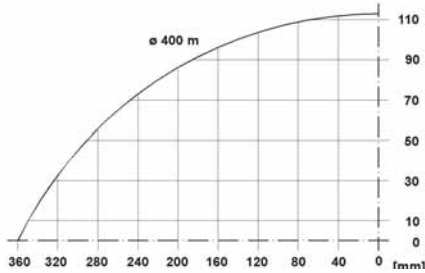
Complete Line

The SP Profile Saw is one component of the complete profile extrusion line offered by Theysohn Extrusionstechnik consisting of:

- CON/TTS/TTM twin-screw extruder
- VCT vacuum calibration table
- CP profile haul-off
- SP profile saw
- PCT/PST profile collection table

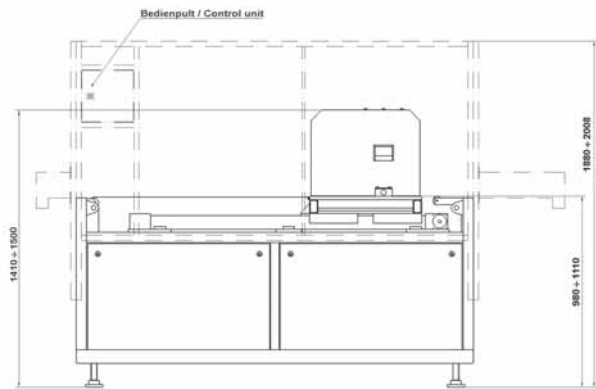
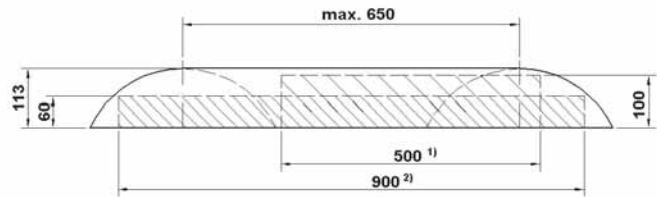
Type		SP 400-E	SP 500/900
Technical Data	Sawblade diameter	400 mm	400 mm
	Max. saw travel	740 mm	900 mm
	Cutting speed	58.6 m/sec	58.6 m/sec
	Saw drive	2.2 kW	2.2 kW
	Chip collector drive	1.1 kW	1.1 kW
	Air sucking capacity	1470 m³/h	1470 m³/h
General Data	Colour	RAL 5015 / 7036	RAL 5015 / 7036
	Voltage	3 x 400 V + 0	3 x 400 V + 0
	Extrusion center line	1100 mm	1100 mm
	Height adjustable pads	1025 - 1175 mm	980 - 1100 mm
	Air consumption/cut	max. 27 L	max. 41 L
	Weight	670 kg	1230 kg

SP 400-E

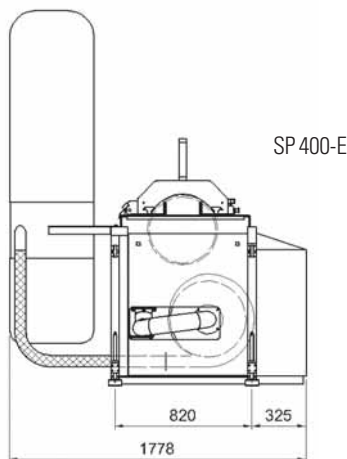


SP 500/900

Range 1: „free cutting“
Range 2: max. range,
additional special cover necessary



SP 500/900



Theysohn
Extrusionstechnik GmbH
Girakstrasse 2
2100 Korneuburg, Austria
Tel.: +43 (0)2262 75511 0
Fax: +43 (0)2262 75505
eMail: office@theysohn.at

Theysohn Vinyl Extrusion
Technologies Inc.
1001 Hurricane Street, Suite 5
Franklin, IN 46131, U.S.A
Tel.: +1 317 346 6200
Fax: +1 317 346 6209
eMail: tvet@theysohnusa.com

000 "Theysohn"
4 floor, office 404
3 pr. Marino Roshi, d. 40, str. 1
Moscow 127018, Russia
Tel.: +7 495 662 44 90
Fax: +7 495 662 44 91
eMail: moscow@theysohn.at

THEYSOHN Extrusionstechnik
(India) Pvt Ltd
129, Akshay Complex, Off Boat
Club Road, Pune 411001, India
Tel.: +91 20 30528333
Fax: +91 20 66202358
eMail: theysohnpune@gmail.com

Theysohn Extrusionstechnik GmbH
17F Office Building, Oriental Kenzo
No. 48 Dong Zhi Men Wai, Dong Cheng
District, Beijing P.C. 100 027, China
Tel.: +86 (0)10 8447 6666
Fax: +86 (0)10 8447 6669
eMail: office@theysohnbeijing.com